

MAXIMUS MBX RANGE, BRACKETS



MBXMP

PLATE FOR ASSEMBLY OF THE MAXIMUS MBX WITH MPXCOL POLE ADAPTOR OR WITH MPXCW CORNER ADAPTOR

In stainless steel

Dimensions: 220x240x10mm (8.7x9.4x0.4in)



MBXMP

MPXCOL

POLE MOUNT ADAPTOR

Made of AISI 316L electropolished stainless steel

For pole diameters: from 110mm (4.3in) up to 150mm (5.9in)

Load rating: 50kg (110lb)

Dimensions: 198x182mm (7.8x7.2in)



MPXCOL

MPXCW

CORNER MOUNT ADAPTOR

Made of AISI 316L electropolished stainless steel

Load rating: 50kg (110lb)

Dimensions: 335x186mm (13.2x7.3in)

Suitable for: MPXWBA, MHXWBS



MPXCW

TECHNICAL DATA

MBXMP

MECHANICAL

In stainless steel

Suitable for MPXCW, MPXCOL

Dimensions: 220x240x10mm (8.7x9.4x0.4in)

Unit weight: 3.7kg (8lb)

PART NUMBER

MBXMP Plate for assembly of the MAXIMUS MBX with MPXCOL pole adaptor or with MPXCW corner adaptor

PACKAGE

Model Number	Weight	Dimensions (WxHxL)	Master carton
MBXMP	4kg (8.8lb)	33x27x7.5cm (13x10.6x3in)	-

MPXCOL

MECHANICAL

Made of AISI 316L electropolished stainless steel

For pole diameters: 110-150mm (4.3-5.9in)

Load rating: 50kg (110lb)

Unit weight: 4.5kg (9.9lb)

PART NUMBER

MPXCOL AISI 316L stainless steel pole adapter module

PACKAGE

Model Number	Weight	Dimensions (WxHxL)	Master carton
MPXCOL	4.9kg (10.8lb)	24x15x21.5cm (9.4x6x8.5in)	6

MPXCW

MECHANICAL

Made of AISI 316L electropolished stainless steel

Load rating: 50kg (110lb)

Dimensions: 335x186mm (13.2x7.3in)

Unit weight: 3.6kg (7.9lb)

PART NUMBER

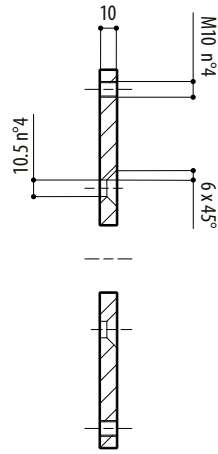
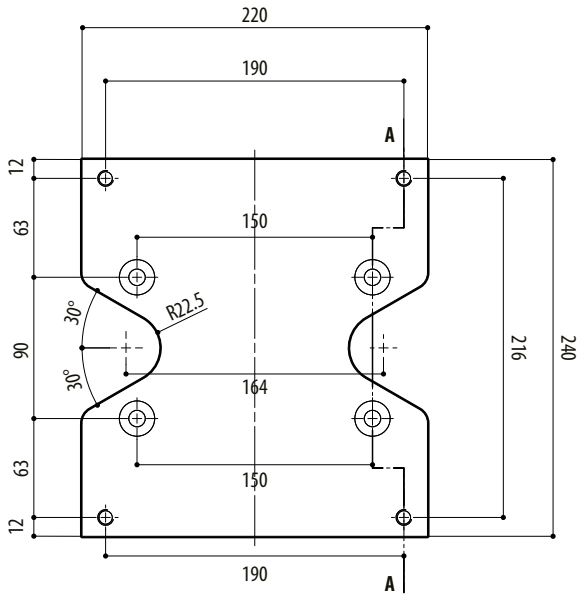
MPXCW AISI 316L stainless steel corner adapter module

PACKAGE

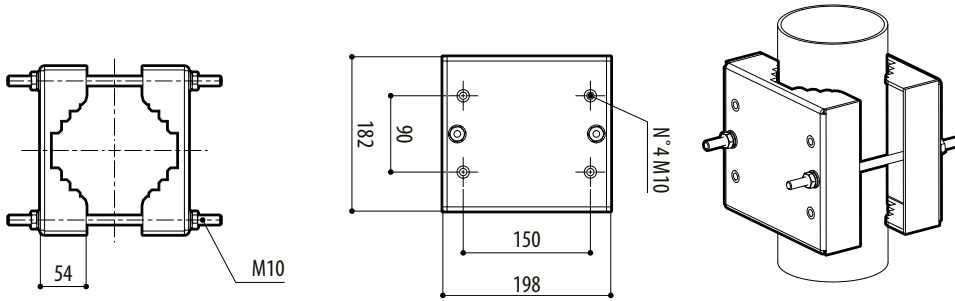
Model Number	Weight	Dimensions (WxHxL)	Master carton
MPXCW	4.8kg (10.6lb)	36.5x25.5x26cm (14.4x10x10.2in)	5

TECHNICAL DRAWINGS

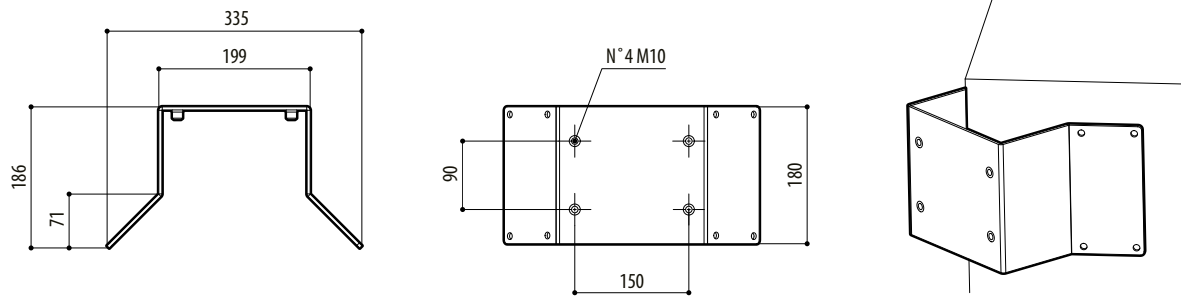
The indicated measurements are expressed in millimetres.



MBXMP



MPXCOL



MPXCW