

# HOV

## SIDE-OPENING ALUMINIUM CAMERA HOUSING



HOV



HOV + WBOVA2



HOV + OSUPPIR + GEKO IRH

### DESCRIPTION

Robust aluminium housing designed to simplify the installation and service, and guarantee total protection against all environmental conditions.

Its size makes it ideal for housing various combinations of standard cameras with fixed or compact zoom lenses.

Very easy to install thanks to the side-opening system that allows the full access to the camera, lenses and all internal connections.

The numerous available accessories, like heater, camera power supply, blower and air filter, wiper and washer can satisfy any installation application.

### MAIN FEATURES

Made of aluminium, sunshield of ABS material

IP66/IP67 (with cable glands or optional sealing rings)

Pre-arranged for internal cable management bracket

Version with a very efficient cooling system for installation with IP cameras and for high environmental temperature

Version with integrated wiper

Available accessories: heater, camera power supply, fan assisted heater, alarm tamper switch, washer pump

## TECHNICAL DATA

### MECHANICAL

Constructed from aluminium

Sunshield in ABS

Epoxy polyester powder painting, RAL9002 colour

Stainless steel external screws

Internal usable area (WxH): 100x70mm (3.9x2.7in)

Internal usable length (with or without accessories): 250mm (9.8in)

Cable glands: 3xM16

Extra clear glass window

- Dimensions (WxH): 118x75mm (4.6x2.95in)

Unit weight: 3kg (6.6lb)

### ELECTRICAL

Supply voltage/Current consumption (empty version):

- From 12Vdc up to 24Vdc, 1A max
- From 12Vac up to 24Vac, 1A max, 50/60Hz
- From 120Vac up to 230Vac, 400mA max, 50/60Hz

Supply voltage/Current consumption (version with heater, Ton 15°C±3°C (59°F±5°F), Toff 22°C±3°C (72°F±5°F)):

- From 12Vdc up to 24Vdc, 3A max
- From 12Vac up to 24Vac, 3A max, 50/60Hz
- From 120Vac up to 230Vac, 400mA max, 50/60Hz

Supply voltage/Current consumption (version with heater fan assistant, continuous duty):

- 12Vdc, 400mA max
- 24Vac, 200mA max, 50/60Hz

Supply voltage/Current consumption (version with wide-range power supply):

- From 100Vac up to 240Vac, 40mA max, 50/60Hz

Supply voltage/Current consumption (version with blower and thermostat for models with double filter for air renewal, Ton 35°C±3°C (95°F±5°F), Toff 20°C±3°C (71°F±5°F)):

- 12Vdc, 400mA max
- 24Vac, 200mA max, 50/60Hz
- 120Vac, 0.37A max, 50/60Hz
- 230Vac, 0.19A max, 50/60Hz

Supply voltage/Current consumption (version with integrated wiper):

- 24Vac, 1.85A max, 50/60Hz
- 230Vac, 40mA max, 50/60Hz

Camera power supply:

- IN from 100Vac up to 240Vac, 50/60Hz - OUT 12Vdc, 1.25A
- IN 230Vac, 50Hz - OUT 24Vac, 50Hz, 400mA

## ENVIRONMENT

For indoors and outdoors installation

Operating temperature (with heater): from -20°C (-4°F) up to +65°C (149°F)

Relative humidity: from 5% up to 95%

## CERTIFICATIONS

Electrical safety (CE): EN60950-1, IEC60950-1, EN62368-1, IEC62368-1

Electromagnetic compatibility (CE): EN50130-4, EN61000-6-3, EN55032 Class B, FCC Part. 15 Class B, ICES-003 Class B (with wiper: EN61000-6-4, EN55032 Class A, FCC Part. 15 Class A, ICES-003 Class A)

Outdoor installation (CE): EN60950-22, IEC 60950-22

IP protection degree (EN60529):

- IP66/IP67 (with cable glands)
- IP66/IP67 (with bracket with internal cable channel, with sealing rings)
- IP55 (with bracket with internal cable channel)
- IP44 (with double filter for air renewal)

IK protection degree (EN62262):

- IK10: models HOV32K1A084, HOV32K2A084
- IK10 (except for the front glass): for all the other models

Salty fog resistance: to 1000 hours (ISO9227)

UL certification (except for versions with double filter for the air exchange, HOV32K1A018, HOV32K2A016, HOV32K2A017, HOV32K2A147, and the version with wiper 230Vac, HOV32K1A100): cULus Listed, TYPE 4X

EAC certification

ACCESSORIES	
OHOVPOEIPM	Maintenance/retrofit kit for HOV and HOV HI-POE IPM housings
OHEH26	Heater, 120Vac or 230Vac, for housings HOV, HTV, VERSO, VERSO COMPACT
OHEH27	Heater 12Vac, 12Vdc, 24Vac or 24Vdc, for housings HOV, HTV, VERSO, VERSO COMPACT
OHOVV1	Heater fan assistant, continuous duty, IN 12Vdc, for HOV housing
OHOVV2	Heater fan assistant, continuous duty, IN 24Vac, for HOV housing
OHOVV3	Heater fan assistant, continuous duty, IN 100-240Vac, for HOV housing
OHOVPS1B	Wide range camera power supply, IN from 100Vac up to 240Vac - OUT 12Vdc, 1.25A, for housings HOV, HTV
OHOVPS2B	Camera transformer, IN 230Vac - OUT 24Vac, 10VA, for housings HOV, HTV
OHOVTA1	Tamper switch on board with tamper proof screws and key for HOV housing
OWBIP2	Sealing rings kit (3xM16) IP66 for WBOVA2 and WCM4A2 brackets for PUNTO, HOV, HTV, VERSO, VERSO POLAR, VERSO COMPACT, HEB, HEK housings
OHEGBB	Weatherproof junction box IP55
WAS0V5L5M00	Water tank 5l (1.3gal), pump with delivery up to 5m (16ft), IN 230Vac-24Vac-120Vac
WAS0V23L5M00	Water tank 23l (6gal), pump with delivery up to 5m (16ft), IN 230Vac-24Vac-120Vac
WAS0V23L11M00	Water tank 23l (6gal), pump with delivery up to 11m (36ft), IN 230Vac-24Vac-120Vac
WAS1V23L30M00	Water tank 23l (6gal), pump with delivery up to 30m (98ft) with water floating, IN 230Vac
WAS3V23L30M00	Water tank 23l (6gal), pump with delivery up to 30m (98ft) with water floating, IN 120Vac
WASPT0V5L5M00	Water tank 5l (1.3gal), pump with delivery up to 5m (16ft), IN 230Vac-24Vac-120Vac
WASPT0V23L5M00	Water tank 23l (6gal), pump with delivery up to 5m (16ft), IN 230Vac-24Vac-120Vac
WASPT0V23L11M00	Water tank 23l (6gal), pump with delivery up to 11m (36ft) with water floating, IN 230Vac-24Vac-120Vac
WASPT1V23L30M00	Water tank 23l (6gal), pump with delivery up to 30m (98ft) with water floating, IN 230Vac
WASPT3V23L30M00	Water tank 23l (6gal), pump with delivery up to 30m (98ft) with water floating, IN 120Vac
DTWRX	Data receiver for remote control of the wiper and WASPT range pumps in stand-alone housings
OSUPPIR	Support for 1 GEKO IRH illuminator under the housing (the combination between OSUPPIR and WBOVA2 wall mount is not compatible with the PUNTO housing)

RELATED PRODUCTS	
PTH300	Horizontal/vertical Pan & Tilt

BRACKETS AND ADAPTORS	
WBJA	Wall mount bracket
WBOVA2	Wall bracket with internal cable channel
WBOV3A2	Wall bracket with internal cable channel, counterplate and support box, not compatible with OHEBVF1, OHEBVF2 and OHEBVF3
WCM3A	Ceiling bracket with ball joint
WCM5A	Ceiling bracket with ball joint
WCM4A2	Ceiling bracket with internal cable channel
WCMPA	Linear extension for WCM4A2 and WCM5A
WFWCA	Column bracket with joint
DBHWGC	Pole adapter Ø 210mm, max 225mm (8.2in, max 8.9in). To be combined with the reinforcing support plate WCPA.
WCWA	Corner mount adaptor
WSFPA	Pole mount adaptor
WCPA	Reinforcing support plate for poor consistency walls
NXWTU	AISI 316L stainless steel adapter module for oblique surfaces

SPARE PARTS	
OHOVS32A000	Sunshield
OHOV32SUP	Complete upper body

PACKAGE			
Model Number	Weight	Dimensions (WxHxL)	Master carton
HOV32K1A000	3.4kg (7.5lb)	19.5x14.5x53cm (7.6x5.7x20.8in)	4

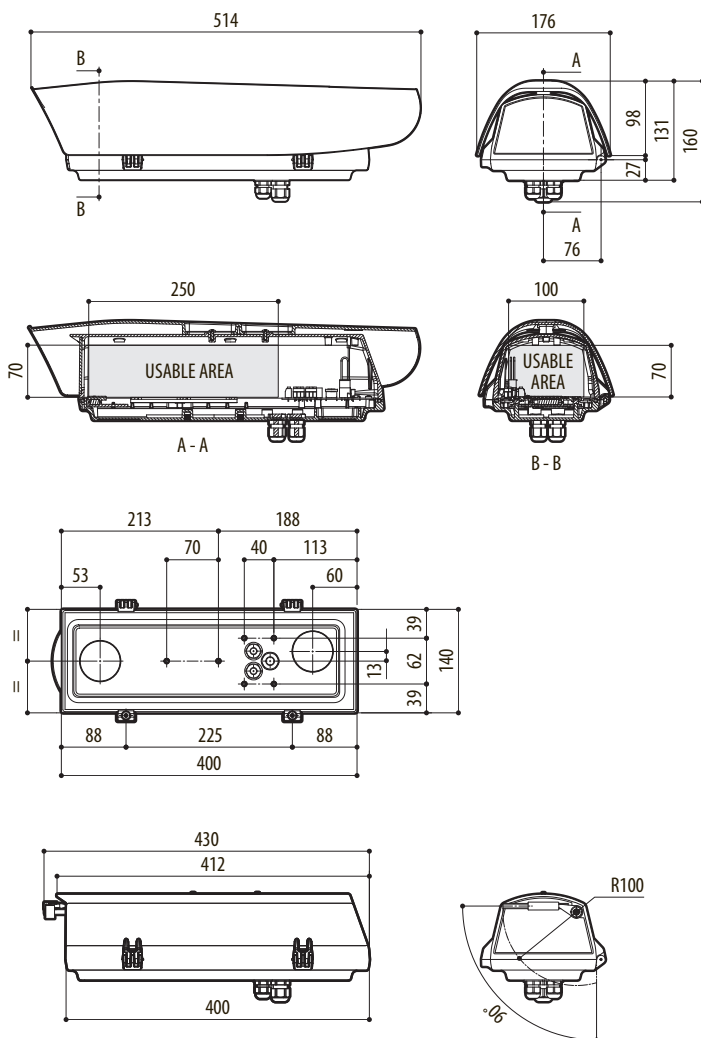
## AVAILABLE MODELS

Model Number	Sunshield	Heater, 120Vac/230Vac	Heater, 12Vdc/24Vac	Blower, 12Vdc, double air exchange filter	Blower, 24Vac, double air exchange filter	Power supply, IN 100/240Vac, OUT 12Vdc, 1A, for fan, double air exchange filter	Wiper, 24Vac	Wiper, 230Vac	Protection degree, IK10	Power consumption	cJ Lus Listed
HOV32K1A000	√	√	-	-	-	-	-	-	-	40W	√
HOV32K1A018	√	√	-	-	-	√	-	-	-	44W	-
HOV32K1A100	√	√	-	-	-	-	-	√	-	47W	-
HOV32K2A000	√	-	√	-	-	-	-	-	-	20W	√
HOV32K2A016 <sup>1</sup>	√	-	√	-	√	-	-	-	-	24W	-
HOV32K2A017 <sup>1</sup>	√	-	√	√	-	-	-	-	-	24W	-
HOV32K2A147 <sup>1</sup>	√	-	√	-	√	-	√	-	-	31W	-
HOV32K2A200 <sup>1</sup>	√	-	√	-	-	-	√	-	-	27W	√
HOV32K1A084	√	√	-	-	-	-	-	-	√	40W	√

<sup>1</sup> The housing must be powered as the same way as the fan and/or wiper

## TECHNICAL DRAWINGS

The indicated measurements are expressed in millimetres.



HOV